

Analogue Gas Controller (GA-300.E01/2/3/4)



Operating Instructions

Introduction

The GA-300.E0, 1/2/3/4 can control up to 4 gas detectors. Each channel has an output relay that operates when the “Danger” (alarm 1) level has been reach. This is a volt free contact which can be used to interface with external equipment (e.g. fire alarm panel).

There is also one common alarm relay that activates at the upper alarm level.

Power Supply requirements

The GA-300 is powered via a 230ac supply, and there is also a battery terminal to connect a 12vdc battery backup if required.

Connections

230V, L N

BAT, For 12vdc battery backup if required.

SENS, (+ S –) these markings are repeated in the detectors

Relays

Depending on the controller version you will have between 1 & 4 Danger relays (one per channel). There is also one common alarm relay.

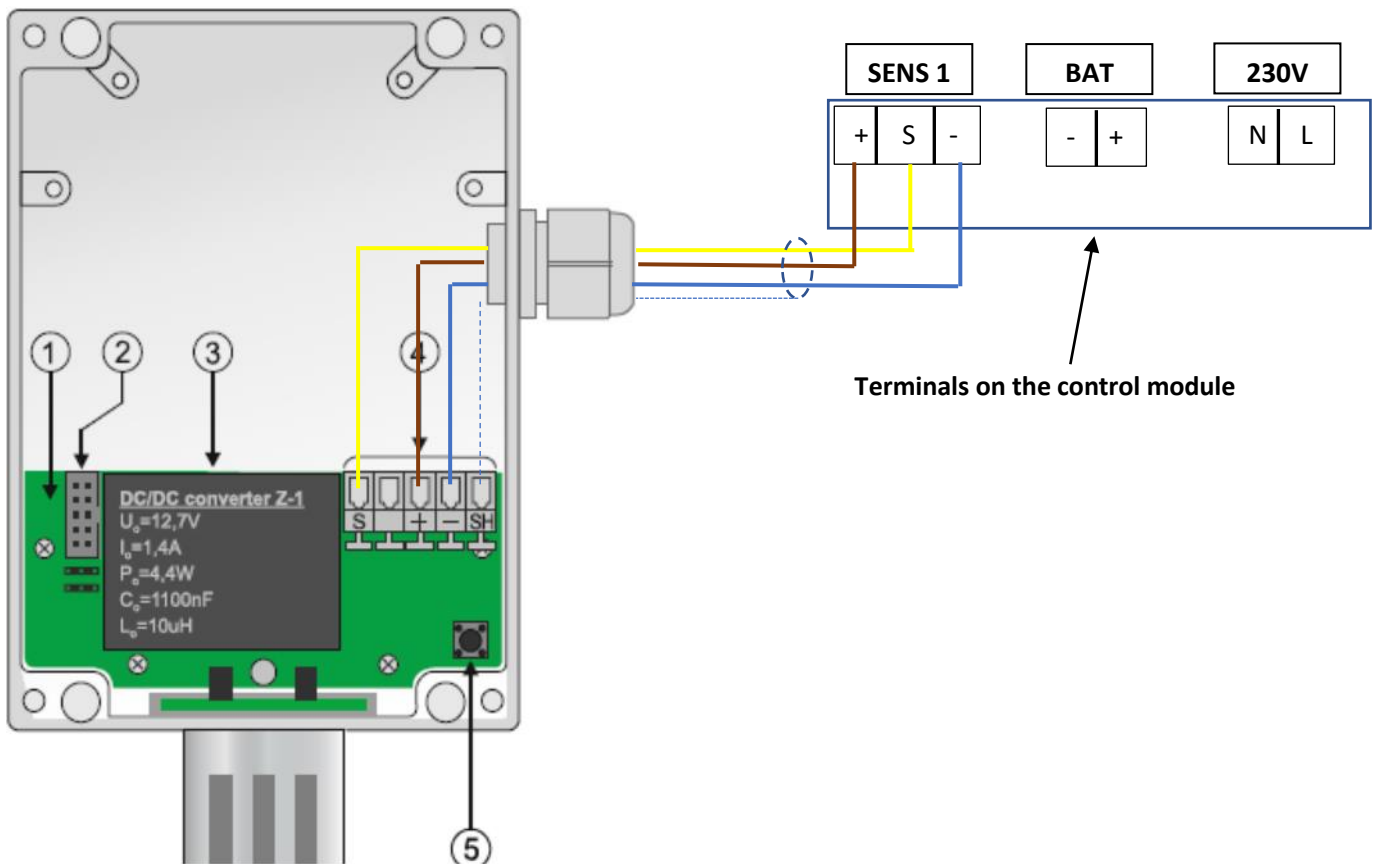
They are marked NO, C, NC from left to right.

Controls

There are two buttons on the front of the controller, TEST for testing the LED’s and RESET to rest alarms.

Technical Data	
Number of inputs	1 - 4
Supported sensors	GS-220.BC.V.Zeta
Alarm levels	2
Signalisation	LED & Sound
Number of detectors: GA-300.E01/02 GA-300.E03.04	1, 2 3 ,4
Output signal	Relay SPDT 250V/2A
Working voltage	Mains (230VAC/50Hz) Backup (12VDC)
Power consumption	5W – 12W (depends on number of sensors)
Input line signal	Analogue 0-4-12-20mA
Weight: GA-300.E01: GA-300.E02: GA-300.E03: GA-300.E04:	0.220kg 0.240kg 0.310kg 0.330kg
Working Temperature	-20 - +50°C
Humidity	10 – 90%RH
Enclosure material	ABS
Certification	CE

Connecting detector to control module.



Order codes

Order code	Number of detectors	Dimensions
GA-300.E01.ZETA	1	71 x 90 x 58mm
GA-300.E02.ZETA	2	71 x 90 x 58mm
GA-300.E03.ZETA	3	106 x 90 x 58mm
GA-300.E04.ZETA	4	106 x 90 x 58mm

